

CM HYBRID SHREDDER

DUAL SHAFT SHREDDERS FOR INDUSTRIAL WASTE



CM Shredders is proud to introduce a new line of general purpose heavy-duty industrial recycling shredders.

An array of knife systems are available to improve and expand dual shaft shredder capabilities.

CM Hybrid industrial shredders combine more torque and throughput than any other shredder. CM Shredders utilizes cutting-edge, patented knife technology to provide the most durable, reliable and advanced shredders for the recycling industry.

The CM Hybrid is available in several different sizes, with customizable components, and can be easily integrated with additional equipment according to the application.

MODELS AVAILABLE



10-25-50-75-150-250-250L

FEATURES & BENEFITS

- Hexagonal Shafts
- Tapered Roller Bearings
- Low Speed - High Torque
- Multiple Knife Configurations
- PLC Controlled & Monitored with HMI
- Sealed Gearbox with Oil Splash Lubrication
- Overload Protection with Auto Reverse & Shutdown

COMPLETE SYSTEMS AVAILABLE WITH

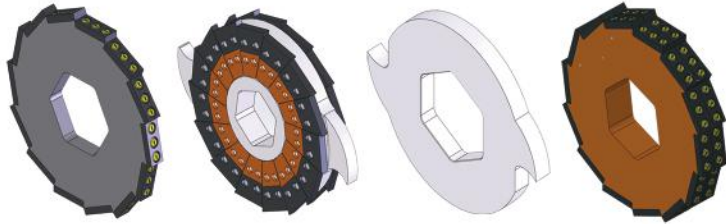
- FERROUS RECOVERY
- NON-FERROUS METALS RECOVERY
- LIGHT/HEAVY SEPARATION
- MATERIAL HANDLING
- MCC/PLC/HMI AND INSTRUMENTATION



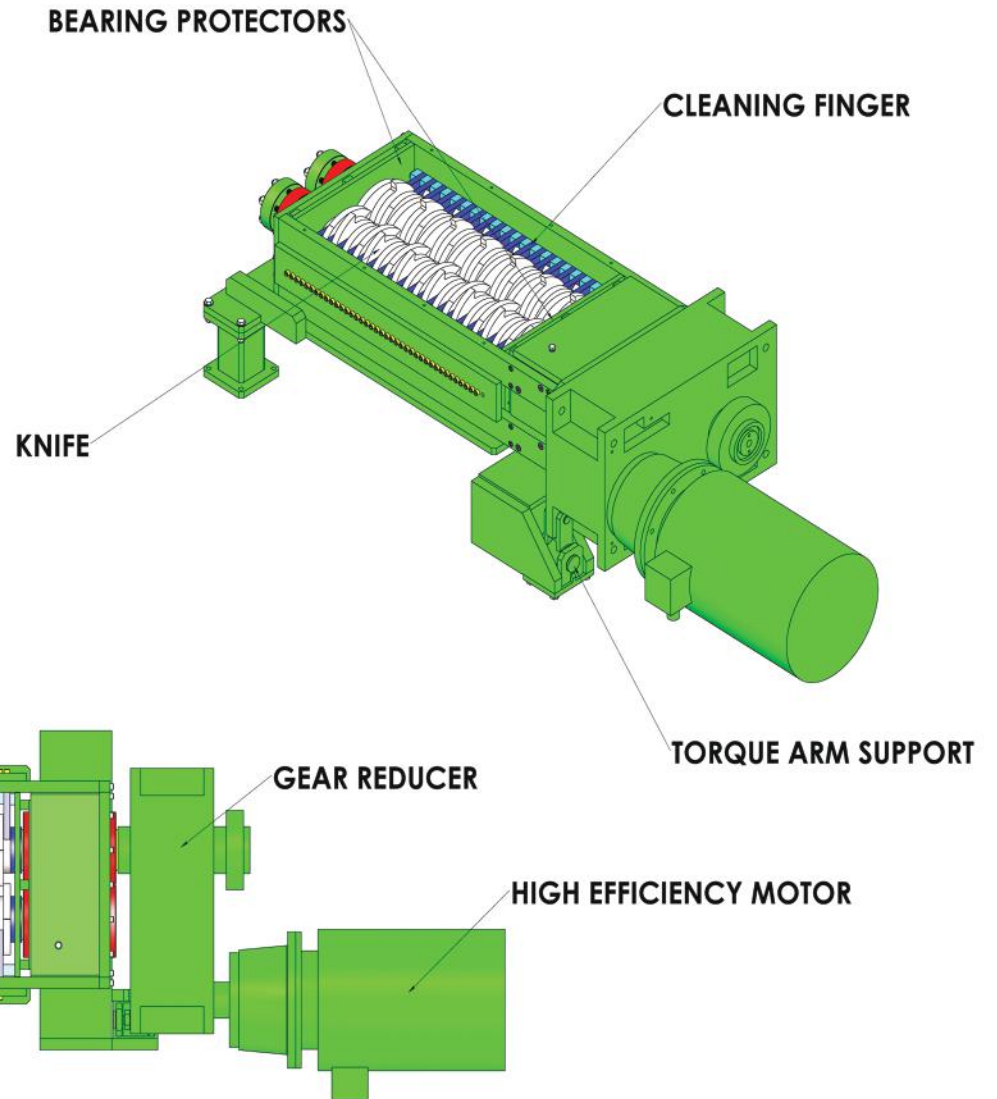
HYBRID SHREDDER

DUAL SHAFT SHREDDERS WITH MULTIPLE
PATENTED KNIFE CONFIGURATIONS

FEATURES AND BENEFITS



IMPROVED KNIFE MATERIALS CUT BETTER AND LAST LONGER
RESHARPENABLE/REUSABLE KNIVES FOR MULTIPLE USES
REDUCES KNIFE COST AND DOWNTIME



www.cmshredders.com

Phone: +1 (941) 755-2621 Toll Free: (800) 848 1071
CM Shredders - 1920 Whitfield Avenue Sarasota, FL 34243



HYBRID SHREDDER
 DUAL SHAFT SHREDDERS WITH MULTIPLE
 PATENTED KNIFE CONFIGURATIONS

APPLICATIONS

✓ MODELS MOST OFTEN SOLD FOR THIS APPLICATION



MODELS

H-10

H-25

H-50

H-75

H-150

H-250

H-250L

MACHINE TURNINGS



PAPER



COSMETICS



PHARMACEUTICAL



GLASS



PLASTICS



ALUMINUM CANS



HOSPITAL WASTE



ELECTRONIC WASTE



PERIODICALS



GENERAL REFUSE



WOOD PALLETS



CAR TIRES



TRUCK TIRES



www.cmshredders.com

Phone: +1 (941) 755-2621 Toll Free: (800) 848 1071

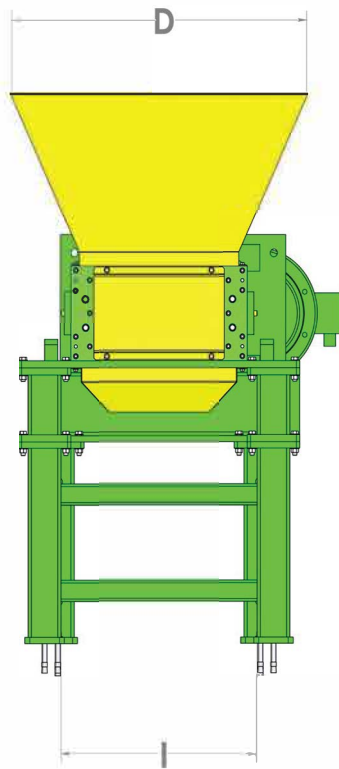
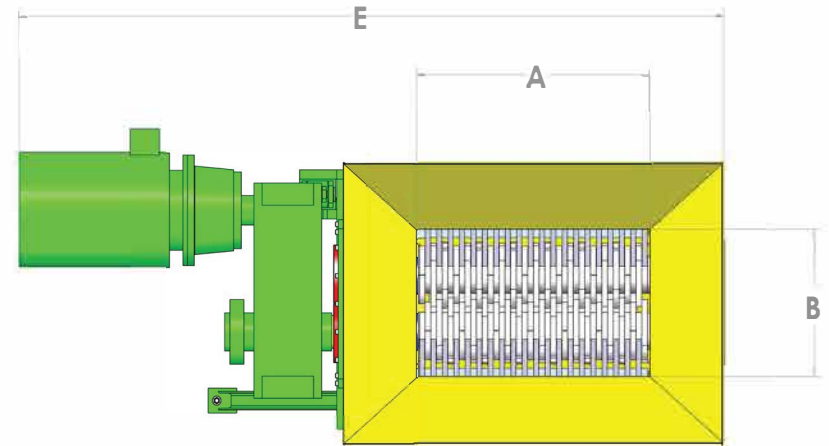
CM Shredders - 1920 Whitfield Avenue Sarasota, FL 34243



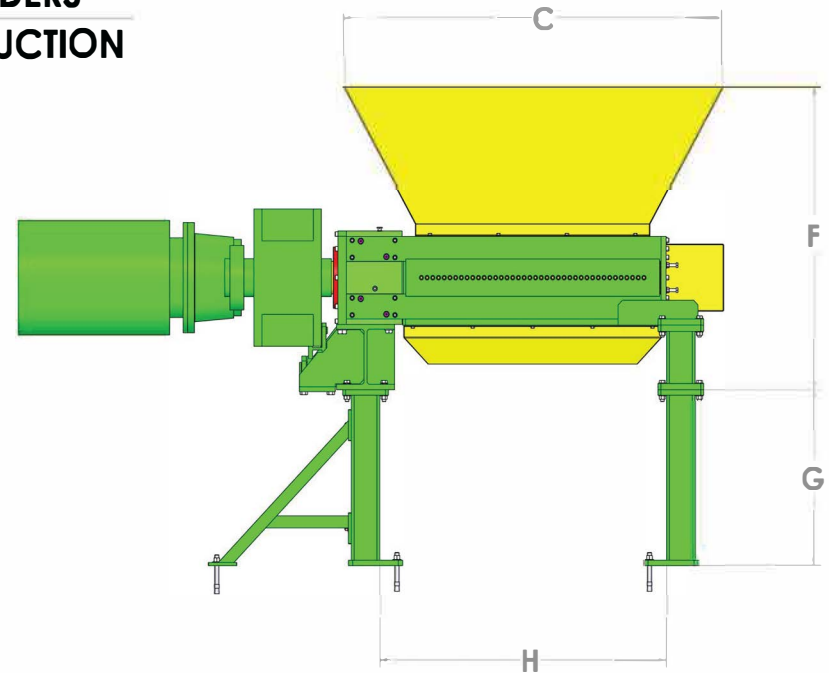
HYBRID SHREDDER
 DUAL SHAFT SHREDDERS WITH MULTIPLE
 PATENTED KNIFE CONFIGURATIONS

SPECIFICATIONS

Model	H-10	H-25	H-50	H-75	H-150	H-250	H-250L
A	18.5	30.0	41.5	45.8	52.5	76.0	91.3
B	16.0	20.5	23.7	27.0	42.1	46.0	46.0
C	31.0	47.9	66.3	73.2	84.5	97.5	127.5
D	26.5	39.0	45.1	51.4	61.3	87.5	87.5
E	62.1	89.6	124.0	136.8	149.4	182.3	212.3
F	27.6	35.2	48.7	53.7	58.7	71.6	71.6
G	TBD	TBD	TBD	TBD	TBD	TBD	TBD
H	TBD	TBD	TBD	TBD	TBD	TBD	TBD
I	TBD	TBD	TBD	TBD	TBD	TBD	TBD



H SERIES SHREDDERS
GENERAL SIZE REDUCTION



www.cmeshredders.com

Phone: +1 (941) 755-2621 Toll Free: (800) 848 1071
 CM Shredders - 1920 Whitfield Avenue Sarasota FL, 34243