

# CM HYBRID SHREDDER

DUAL SHAFT SHREDDERS FOR INDUSTRIAL WASTE



CM Shredders is proud to introduce a new line of general purpose heavy-duty industrial recycling shredders.

An array of knife systems are available to improve and expand dual shaft shredder capabilities.

CM Hybrid industrial shredders combine more torque and throughput than any other shredder. CM Shredders utilizes cutting-edge, patented knife technology to provide the most durable, reliable and advanced shredders for the recycling industry.

The CM Hybrid is available in several different sizes, with customizable components, and can be easily integrated with additional equipment according to the application.

## MODELS AVAILABLE



10-25-50-75-150-250-250L

## FEATURES & BENEFITS

- Hexagonal Shafts
- Tapered Roller Bearings
- Low Speed - High Torque
- Multiple Knife Configurations
- PLC Controlled & Monitored with HMI
- Sealed Gearbox with Oil Splash Lubrication
- Overload Protection with Auto Reverse & Shutdown

## COMPLETE SYSTEMS AVAILABLE WITH

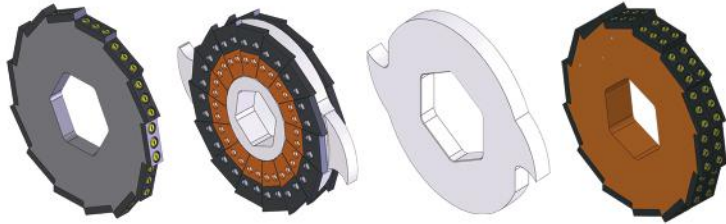
- FERROUS RECOVERY
- NON-FERROUS METALS RECOVERY
- LIGHT/HEAVY SEPARATION
- MATERIAL HANDLING
- MCC/PLC/HMI AND INSTRUMENTATION



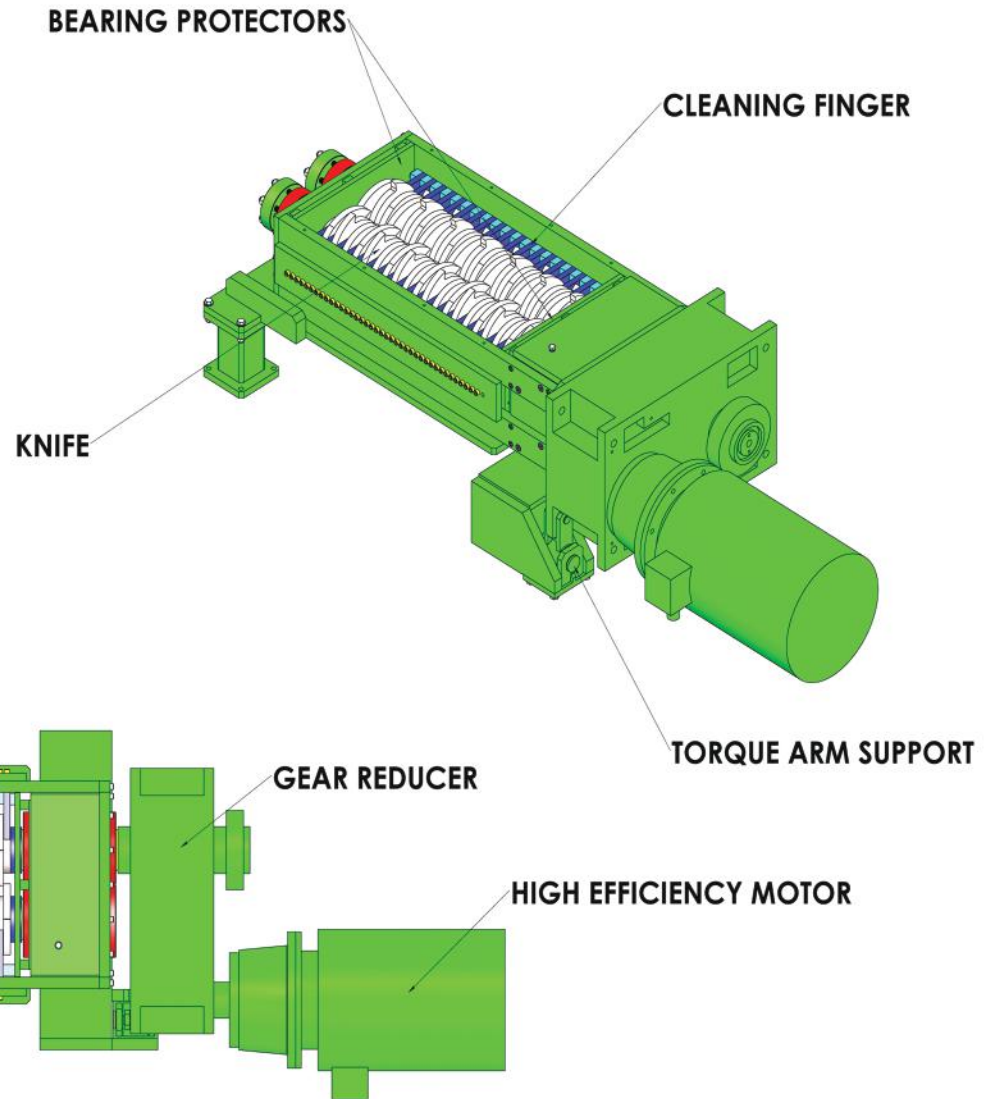
# HYBRID SHREDDER

DUAL SHAFT SHREDDERS WITH MULTIPLE  
PATENTED KNIFE CONFIGURATIONS

## FEATURES AND BENEFITS



IMPROVED KNIFE MATERIALS CUT BETTER AND LAST LONGER  
RESHARPENABLE/REUSABLE KNIVES FOR MULTIPLE USES  
REDUCES KNIFE COST AND DOWNTIME



[www.cmshredders.com](http://www.cmshredders.com)

Phone: +1 (941) 755-2621 Toll Free: (800) 848 1071  
CM Shredders - 1920 Whitfield Avenue Sarasota, FL 34243



**HYBRID SHREDDER**  
 DUAL SHAFT SHREDDERS WITH MULTIPLE  
 PATENTED KNIFE CONFIGURATIONS

## APPLICATIONS

✓ **MODELS MOST OFTEN SOLD FOR THIS APPLICATION**



## MODELS

H-10

H-25

H-50

H-75

H-150

H-250

H-250L

MACHINE TURNINGS



PAPER



COSMETICS



PHARMACEUTICAL



GLASS



PLASTICS



ALUMINUM CANS



HOSPITAL WASTE



ELECTRONIC WASTE



PERIODICALS



GENERAL REFUSE



WOOD PALLETS



CAR TIRES



TRUCK TIRES



[www.cmshredders.com](http://www.cmshredders.com)

Phone: +1 (941) 755-2621 Toll Free: (800) 848 1071

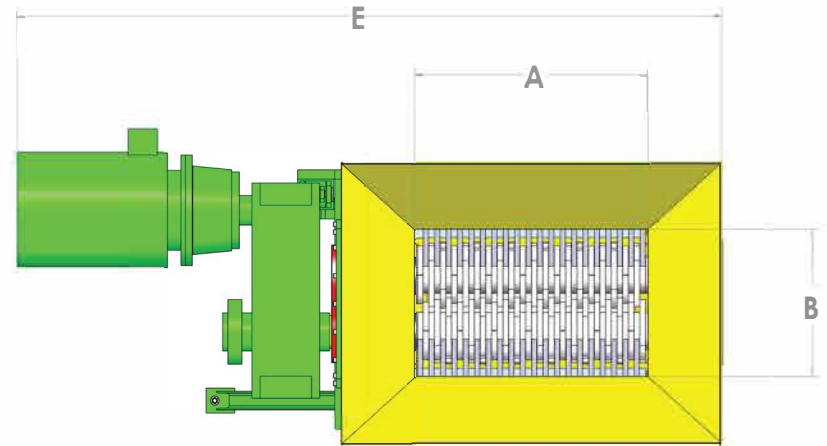
CM Shredders - 1920 Whitfield Avenue Sarasota, FL 34243



**HYBRID SHREDDER**  
 DUAL SHAFT SHREDDERS WITH MULTIPLE  
 PATENTED KNIFE CONFIGURATIONS

**SPECIFICATIONS**

Model	H-10	H-25	H-50	H-75	H-150	H-250	H-250L
A	18.5	30.0	41.5	45.8	52.5	76.0	91.3
B	16.0	20.5	23.7	27.0	42.1	46.0	46.0
C	31.0	47.9	66.3	73.2	84.5	97.5	127.5
D	26.5	39.0	45.1	51.4	61.3	87.5	87.5
E	62.1	89.6	124.0	136.8	149.4	182.3	212.3
F	27.6	35.2	48.7	53.7	58.7	71.6	71.6
G	TBD	TBD	TBD	TBD	TBD	TBD	TBD
H	TBD	TBD	TBD	TBD	TBD	TBD	TBD
I	TBD	TBD	TBD	TBD	TBD	TBD	TBD



**H SERIES SHREDDERS**  
**GENERAL SIZE REDUCTION**

